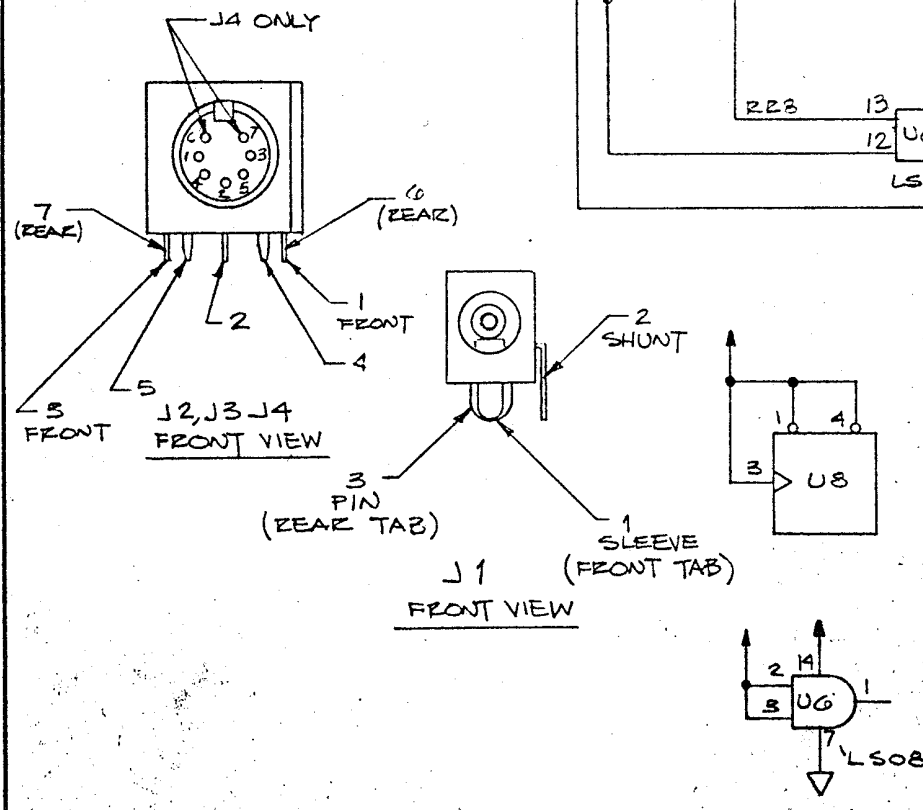
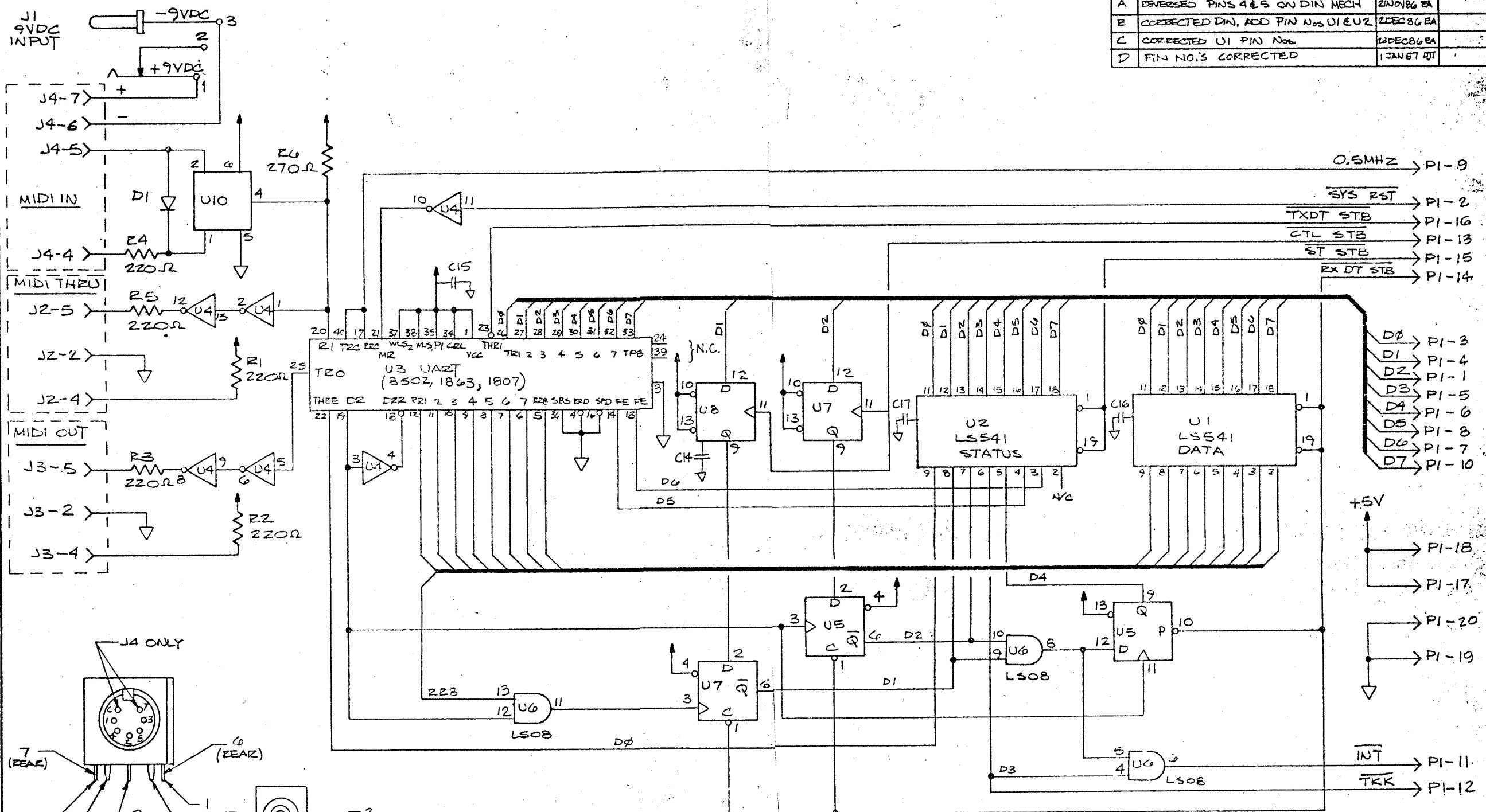


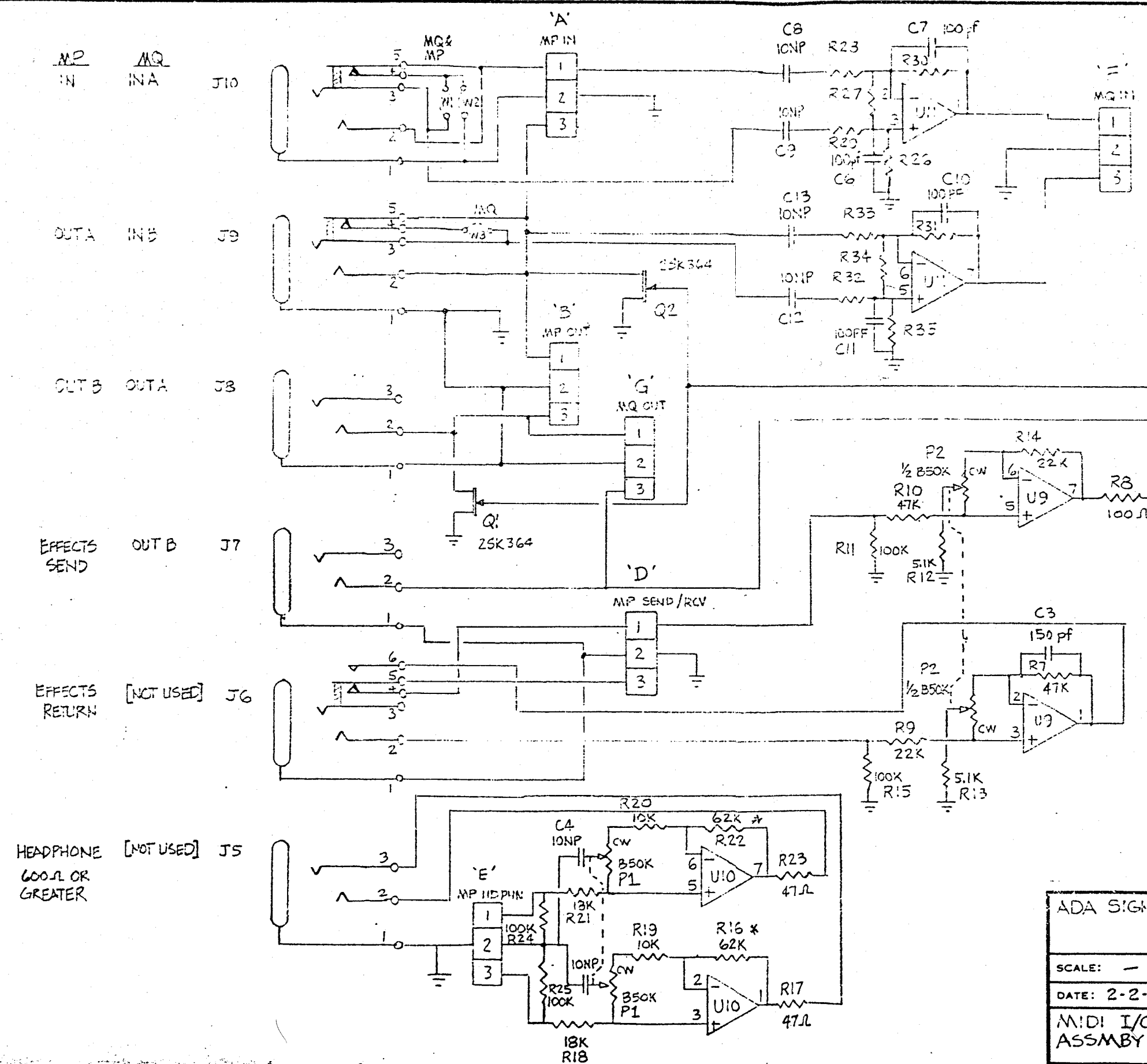
REVISIONS			
LTR	DESCRIPTION	DATE	APPROVED
A	REVERSED PINS 4 & 5 ON DIN MECH	21NOV86 EA	
B	CORRECTED DIN, ADD PIN NOS U1 & U2	22DEC86 EA	
C	CORRECTED U1 PIN NOS	22DEC86 EA	
D	PIN NOS CORRECTED	1 JAN 87 JTI	



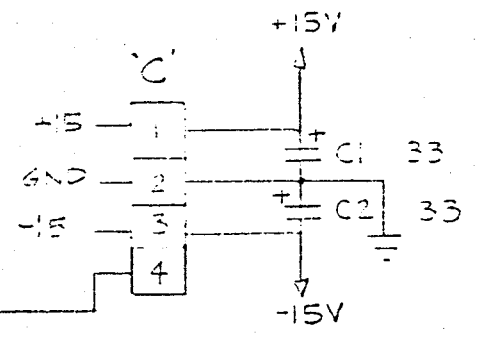
ASSEMBLY NO. 780031

TOLERANCES UNLESS OTHERWISE SPECIFIED		ADA SIGNAL PROCESSORS, INC.	
FRACTIONS DEC ANGLES	± ± ±	MIDI I/O PCB 680076	
APPROVALS	DATE	SCHEMATIC, DIGITAL	
DRAWN EA	19SEP84	SCALE	SIZE C
CHECKED		DRAWING NO. 399	REV ID
DO NOT SCALE DRAWING		SHEET 1 of 2	

MQ1, USE W1 & W3  
 MPI, USE 'N'



(Q IS INVERTED)

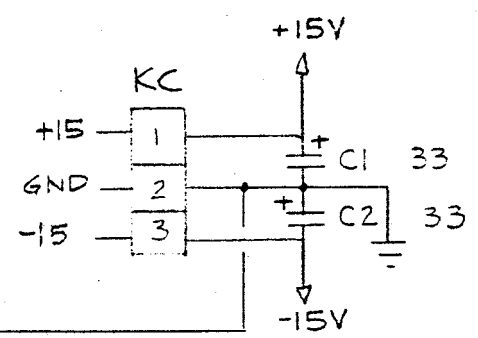
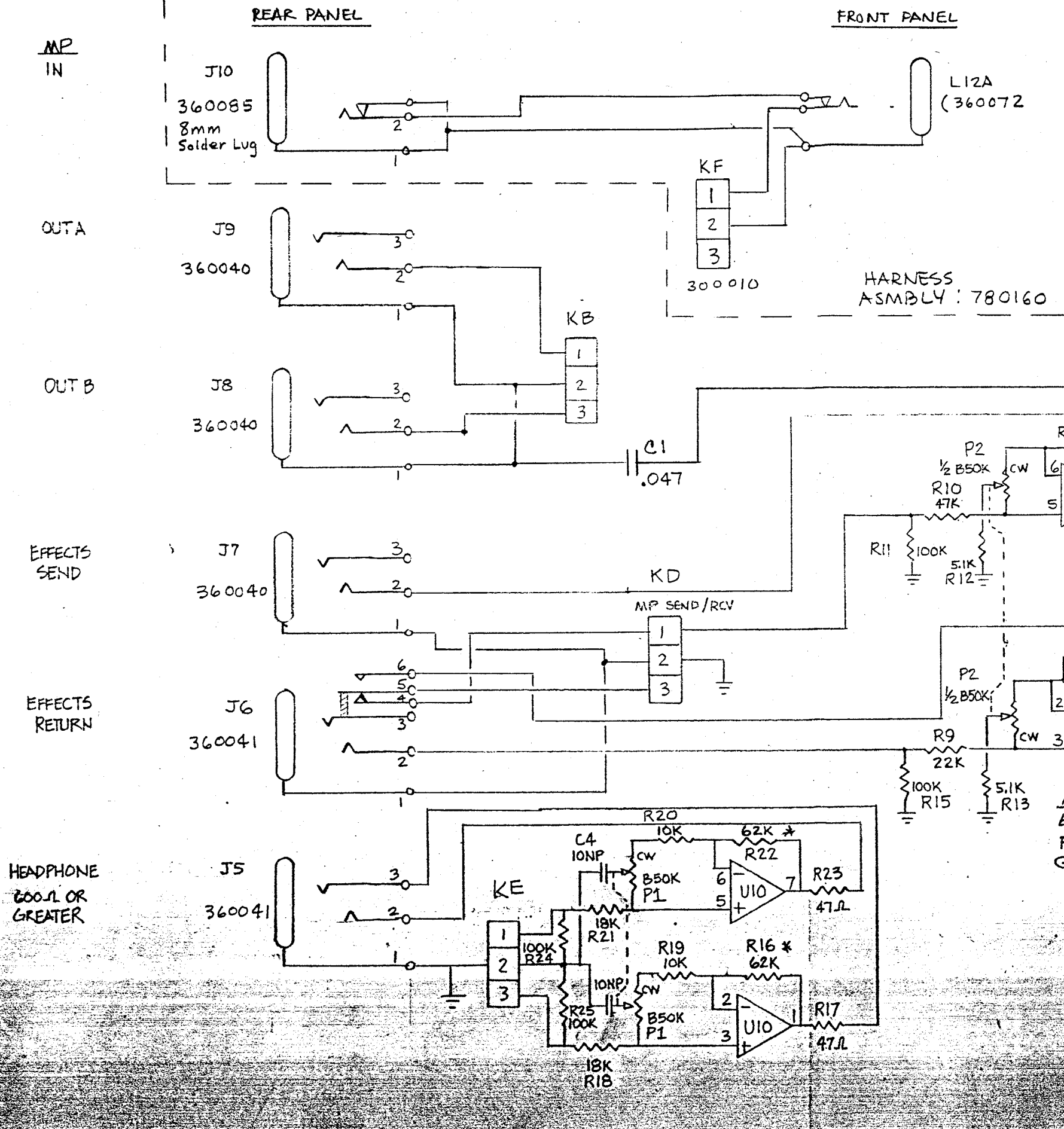


NOTE: THIS SCHEMATIC IS FOR PCB PN: 423 REVE (680076) ONLY.

- \* 1. FOR MP USE 30K Ω
- 2. Q1 & Q2 FOR MP-1 ONLY

ENTERED SEP 10 1987

ADA SIGNAL PROCESSORS, INC.		
SCALE: —	APPROVED BY: DJT 4-13-87 9-9-87	DRAWN BY DJT
DATE: 2-2-87		REVISED 7-16-87
MIDI I/O PCB ANALOG CIRCUITRY, PCB 423 REV D ASSMBY NO 780031		
		DRAWING NUMBER KEY B453 D



NOTE: THIS SCHEMATIC IS FOR PCB PN: 423 REVE (680076) ONLY.

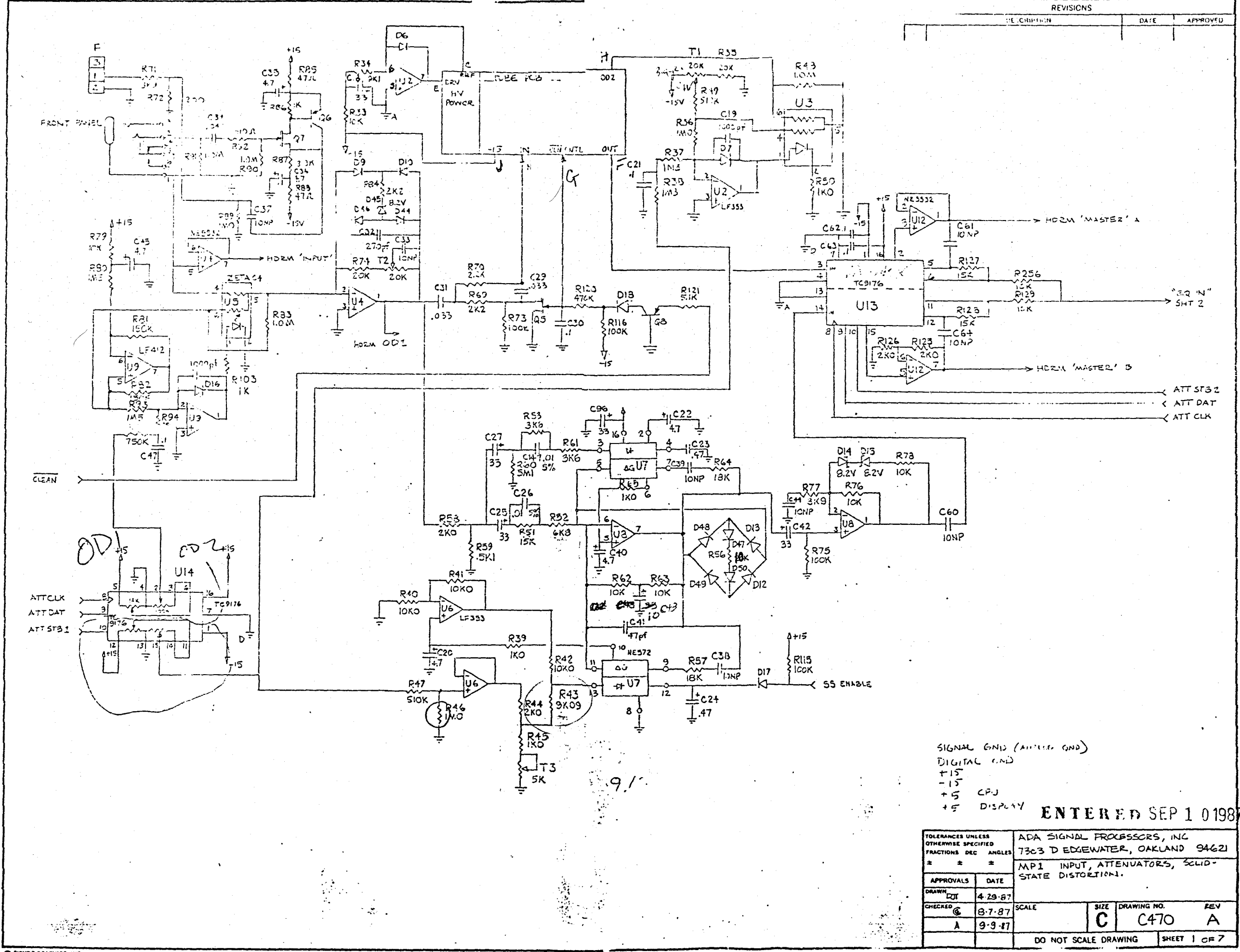
- \* 1. FOR MP USE 30K Ω
- 2. Q1 & Q2 FOR MP-1 ONLY

REV  
 E ELO # 8766 REMOVES GND WIRES & JUMPER J8/7 GND 2-8-88 DJT  
 F MAKE MP1 ONLY COMPATIBLE 7-13-90 DJT  
 G CORRECT NOMENCLATURE 1-24-91 hynx

ADA SIGNAL PROCESSORS, INC.		
SCALE: -	APPROVED BY: DJT 4-13-87 9-9-87	DRAWN BY DJT
DATE: 2-2-87		REVISED 1-24-91
MIDI I/O PCB ANALOG CIRCUITRY, PCB 423 REV F ASSMPLY NO 780031		
		DRAWING NUMBER KEY B453 G

REVISIONS

REV. NO.	DESCRIPTION	DATE	APPROVED

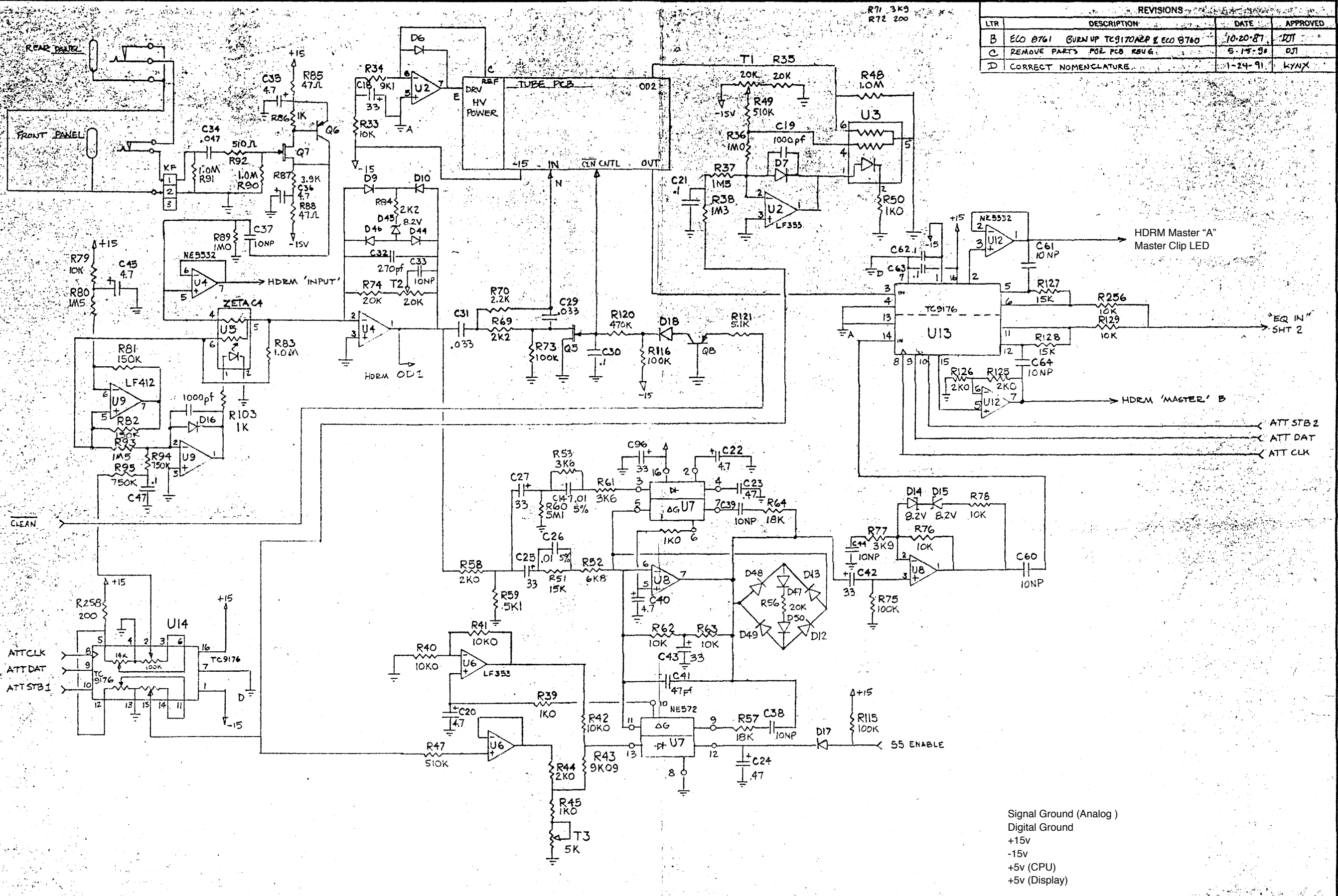


SIGNAL GND (ANALOG GND)  
 DIGITAL GND  
 +15  
 -15  
 +5 CPU  
 +5 DISPLAY

ENTERED SEP 1 0 1987

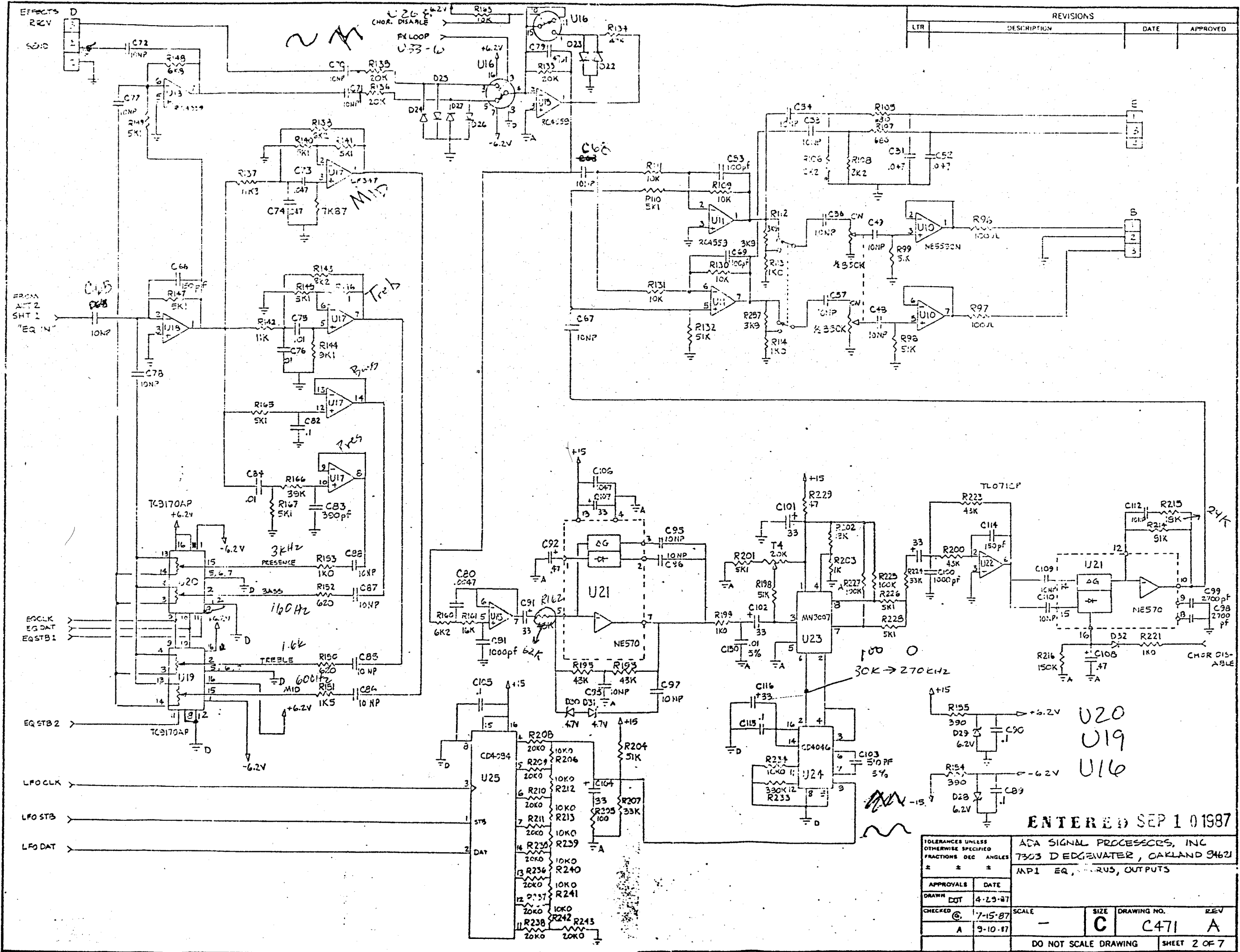
TOLERANCES UNLESS OTHERWISE SPECIFIED		ADA SIGNAL PROCESSORS, INC	
FRACTIONS DEC ANGLES		7303 D EDGEWATER, OAKLAND 94621	
* * *		MP1 INPUT, ATTENUATORS, SOLID-STATE DISTORTION.	
APPROVALS	DATE	SCALE	SIZE DRAWING NO. REV
	4-29-87		C C470 A
CHECKED	8-7-87		
A	9-9-87		
DO NOT SCALE DRAWING			SHEET 1 OF 7

REVISIONS			
LTR	DESCRIPTION	DATE	APPROVED
B	ECO 0761 BURN UP TC9170A & ECO 0760	10-20-87	DJT
C	REMOVE PARTS FOR PCB REV G	6-15-90	DJT
D	CORRECT NOMENCLATURE	1-24-91	KYNX



Signal Ground (Analog)  
 Digital Ground  
 +15v  
 -15v  
 +5v (CPU)  
 +5v (Display)

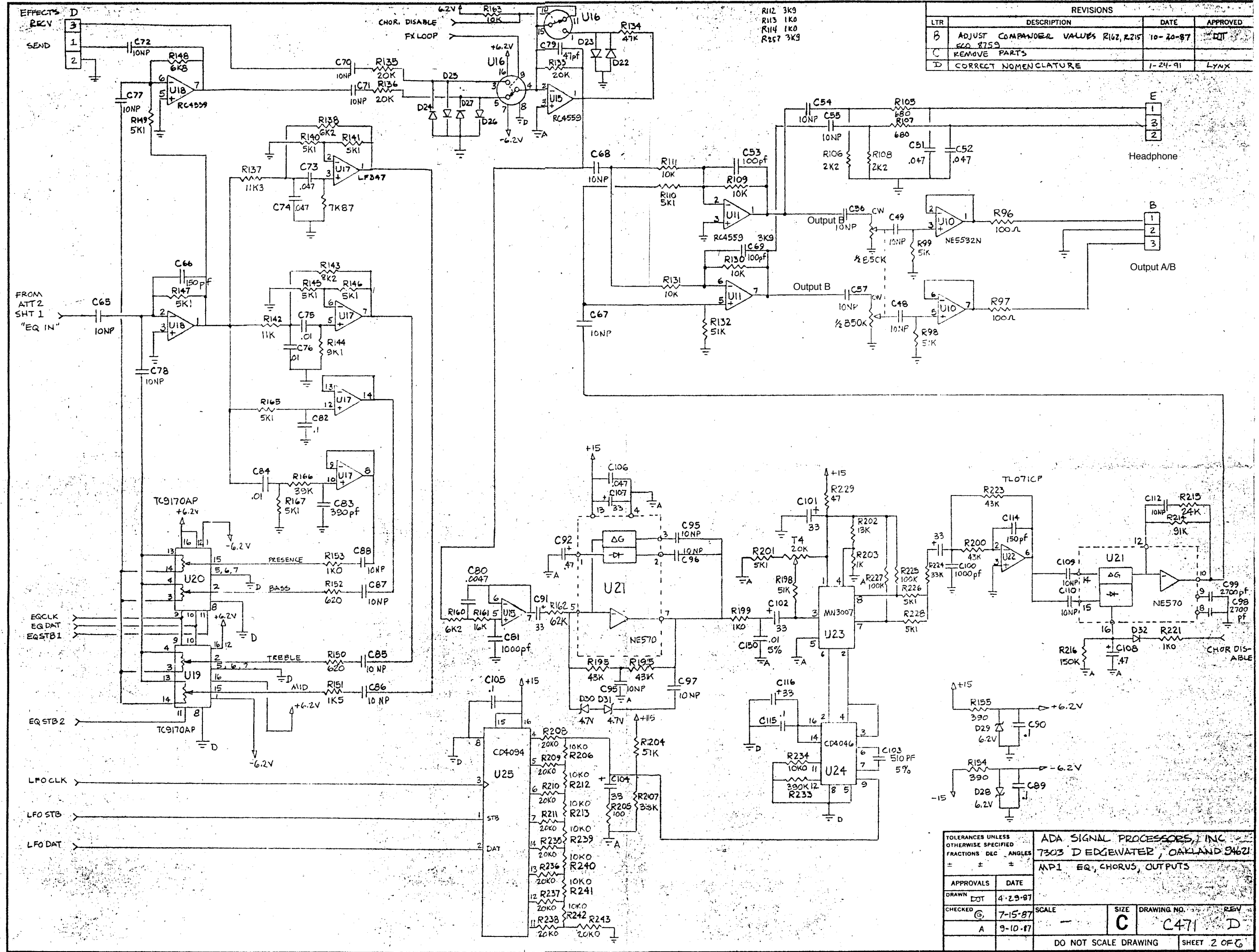
TOLERANCES UNLESS OTHERWISE SPECIFIED		ADA SIGNAL PROCESSORS, INC	
FRACTIONS DEC ANGLES	7303 D EDGEWATER, OAKLAND 94621		
± ± ±	MP1 INPUT, ATTENUATORS, SOLID-STATE DISTORTION.		
APPROVALS	DATE	SCALE	SIZE
DJT	4-29-87		C
CHECKED	8-7-87		D
A	9-9-87		
DO NOT SCALE DRAWING		SHEET 1 OF 6	



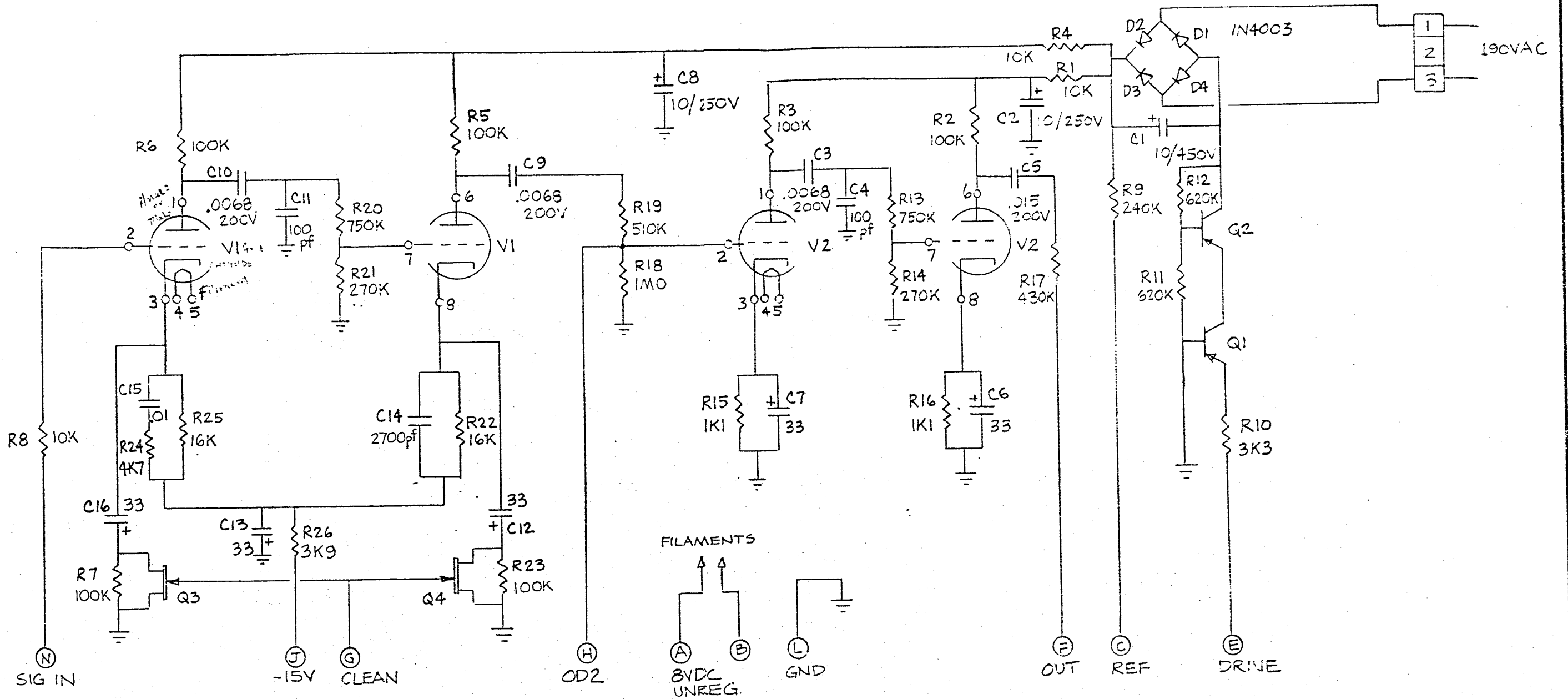
REVISIONS			
LTR	DESCRIPTION	DATE	APPROVED

TOLERANCES UNLESS OTHERWISE SPECIFIED		ADA SIGNAL PROCESSORS, INC	
FRACTIONS DEC ANGLES		7303 D EDGEWATER, OAKLAND 94621	
* * *		MP1 EQ, STB, OUTPUTS	
APPROVALS	DATE	SCALE	SIZE DRAWING NO. REV
DRAWN DJT	4-23-87	-	C C471 A
CHECKED @	7-15-87		
A	9-10-87		
DO NOT SCALE DRAWING			SHEET 2 OF 7

REVISIONS			
LTR	DESCRIPTION	DATE	APPROVED
B	ADJUST COMPANDER VALUES R162, R215 ECO 8759	10-20-87	DTJ
C	REMOVE PARTS		
D	CORRECT NOMENCLATURE	1-24-91	LYNX



TOLERANCES UNLESS OTHERWISE SPECIFIED		FRACTIONS DEC ANGLES		<b>ADA SIGNAL PROCESSORS, INC.</b> 7303 D EDgewater, OAKLAND 94621	
= ± %		= °		<b>MP1 EQ, CHORUS, OUTPUTS</b>	
APPROVALS	DATE	SCALE	SIZE	DRAWING NO.	REV.
DRAWN DTJ	4-29-87		C	C471	D
CHECKED G	7-15-87				
	A				
DO NOT SCALE DRAWING			SHEET 2 OF 6		



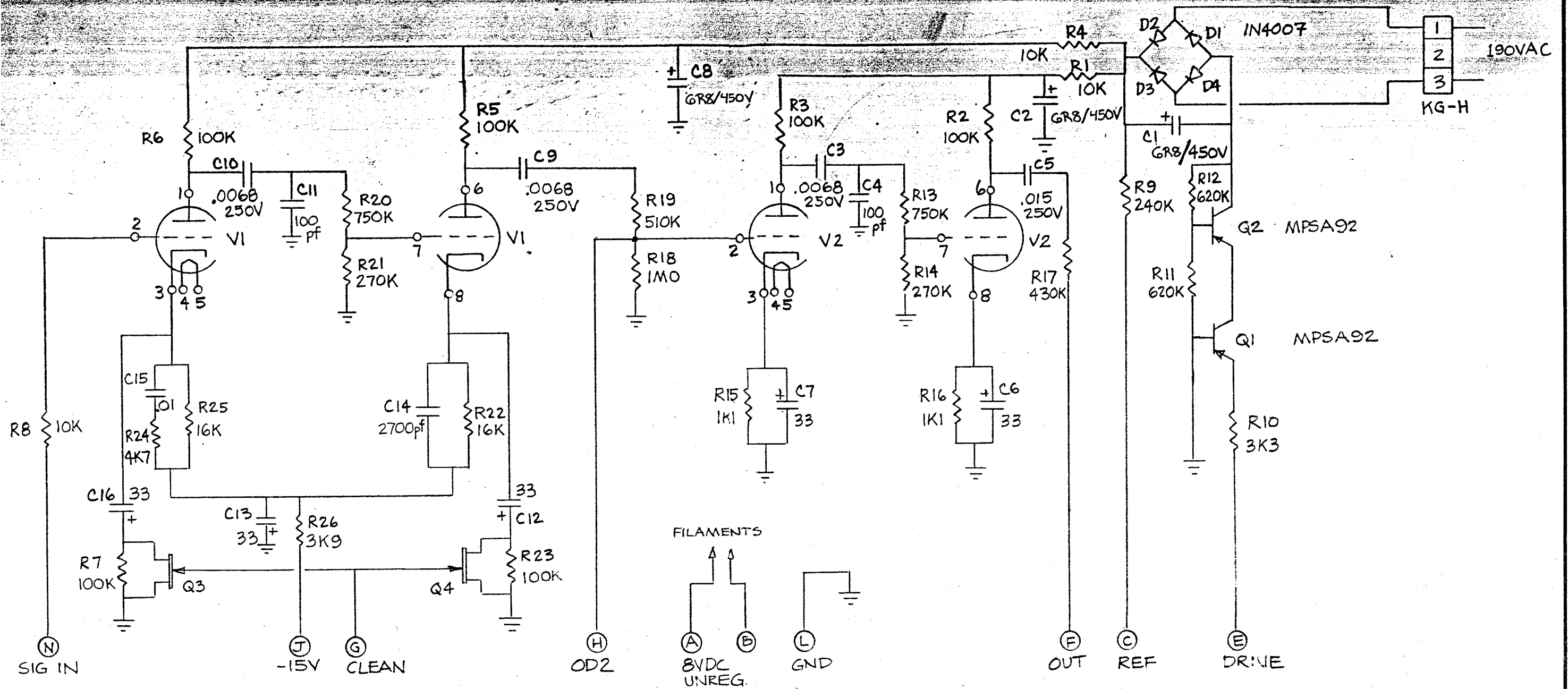
609 00  
 609 00  
 609 00  
 609 00  
 609 00  
 609 00

ENTERED SEP 1 0 1987

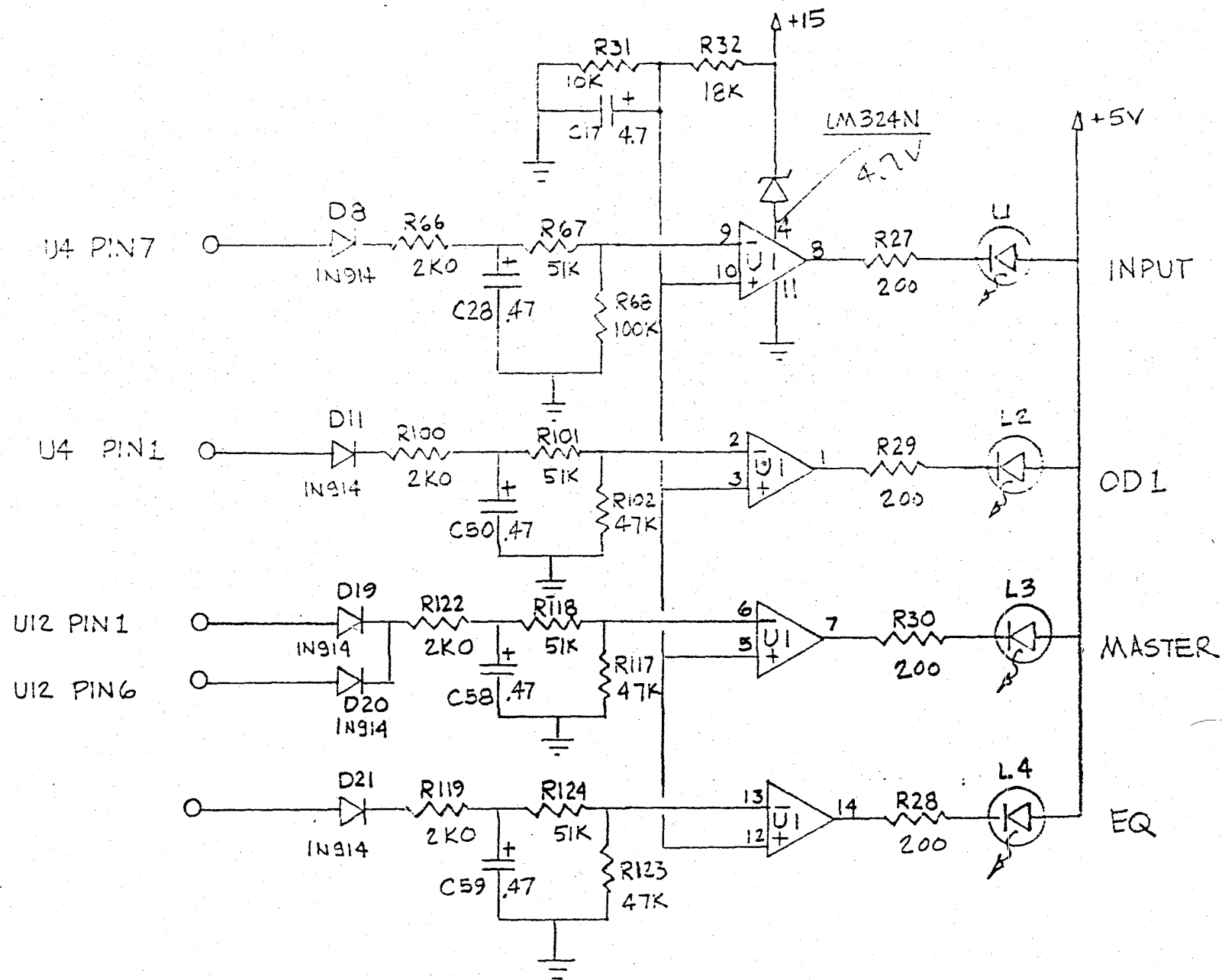
ADA SIGNAL PROCESSORS, INC. 7303 D EDGEWATER DR., OAKLAND, CA 94621		
SCALE: NONE DATE: 7-16-87	APPROVED BY: DJT	DRAWN BY DJT REVISED
MP-1 SCHEMATIC TUBE BREAK-AWAY PCB PART OF ASSMBLY _____		
		DRAWING NUMBER REV B472 -

3 OF 7

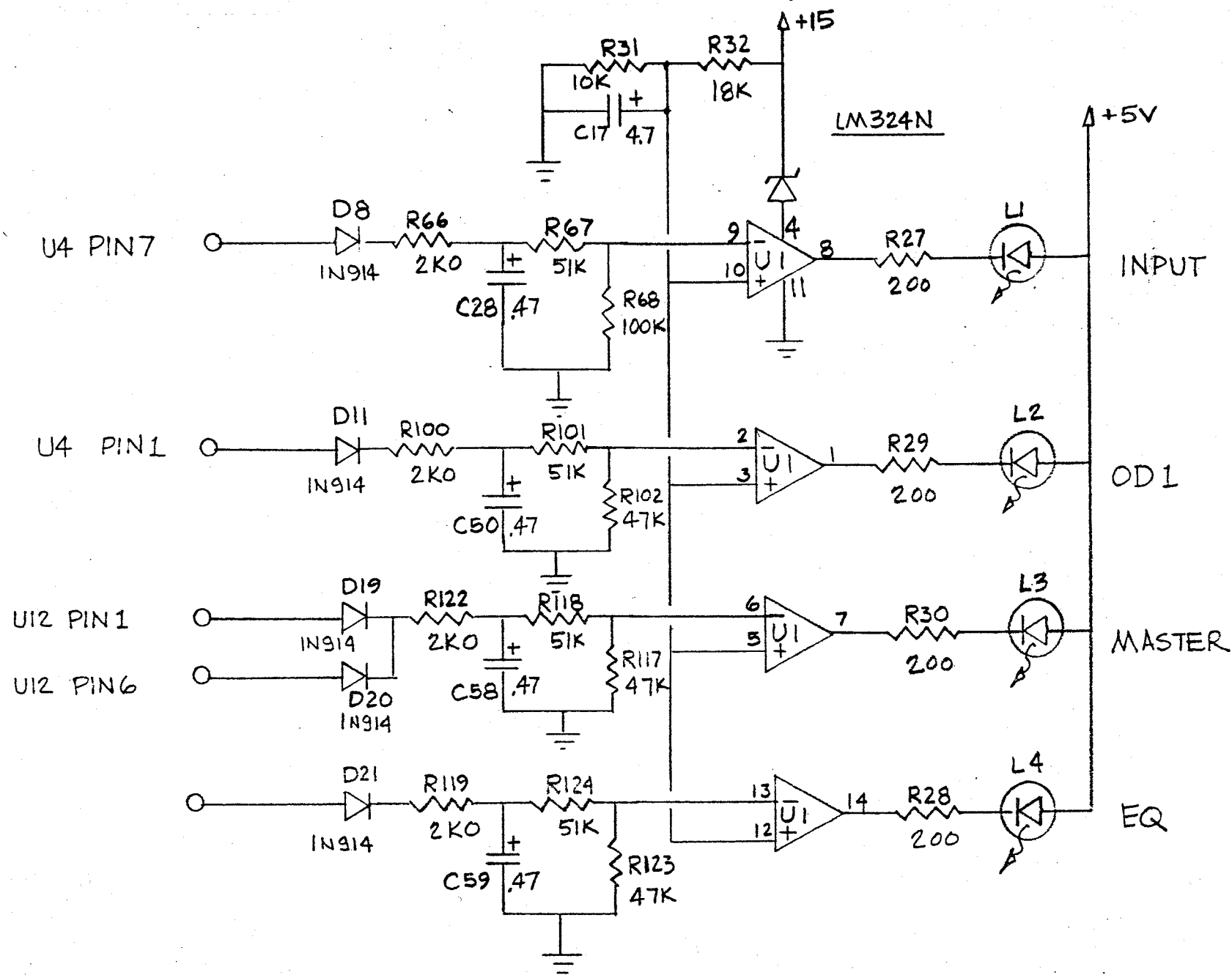




ADA SIGNAL PROCESSORS, INC. 7303 D EDgewater DR., OAKLAND, CA 94621		
SCALE: NONE	APPROVED BY: DJT	DRAWN BY DJT
DATE: 7-16-87		REVISED 1-24-91
MP-1 SCHEMATIC TUBE BREAK-AWAY PCB PART OF ASSMBLY _____		
		DRAWING NUMBER REV
		B472 A

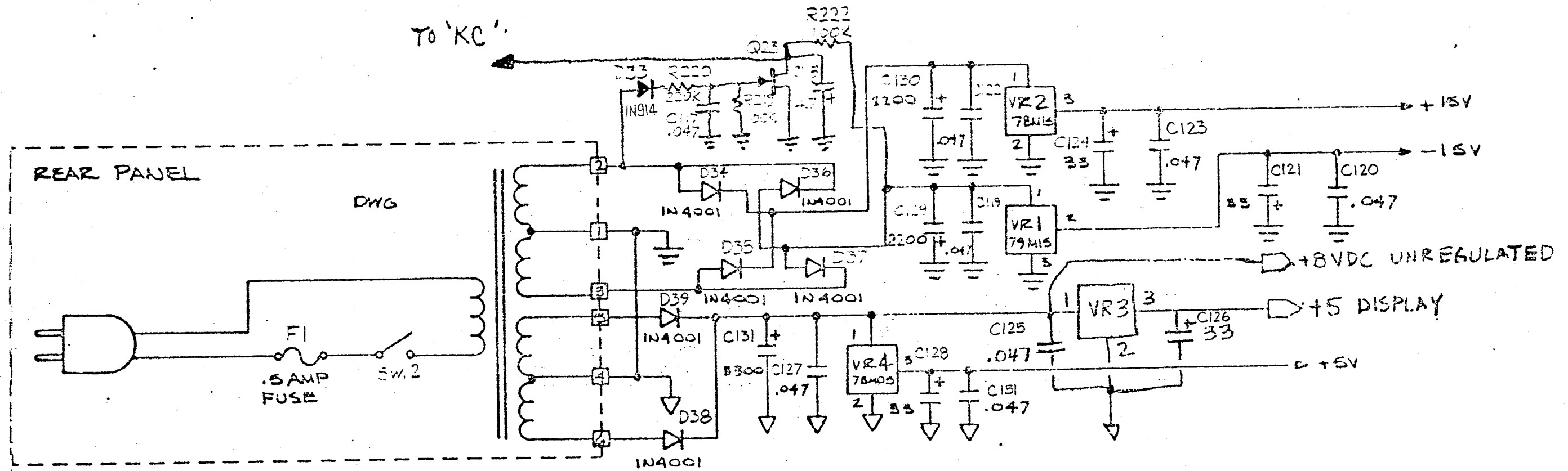


ADA SIGNAL PROCESSORS, INC 7303 D EDGEWATER DR., OAKLAND CA 94621		
SCALE: —	APPROVED BY: DJT 9-9-87	DRAWN BY DJT
DATE: 7-21-87		REVISED
MP-1 SCHEMATIC LED CLIP INDICATOR		
© 9-9-87		DRAWING NUMBER 25V B473

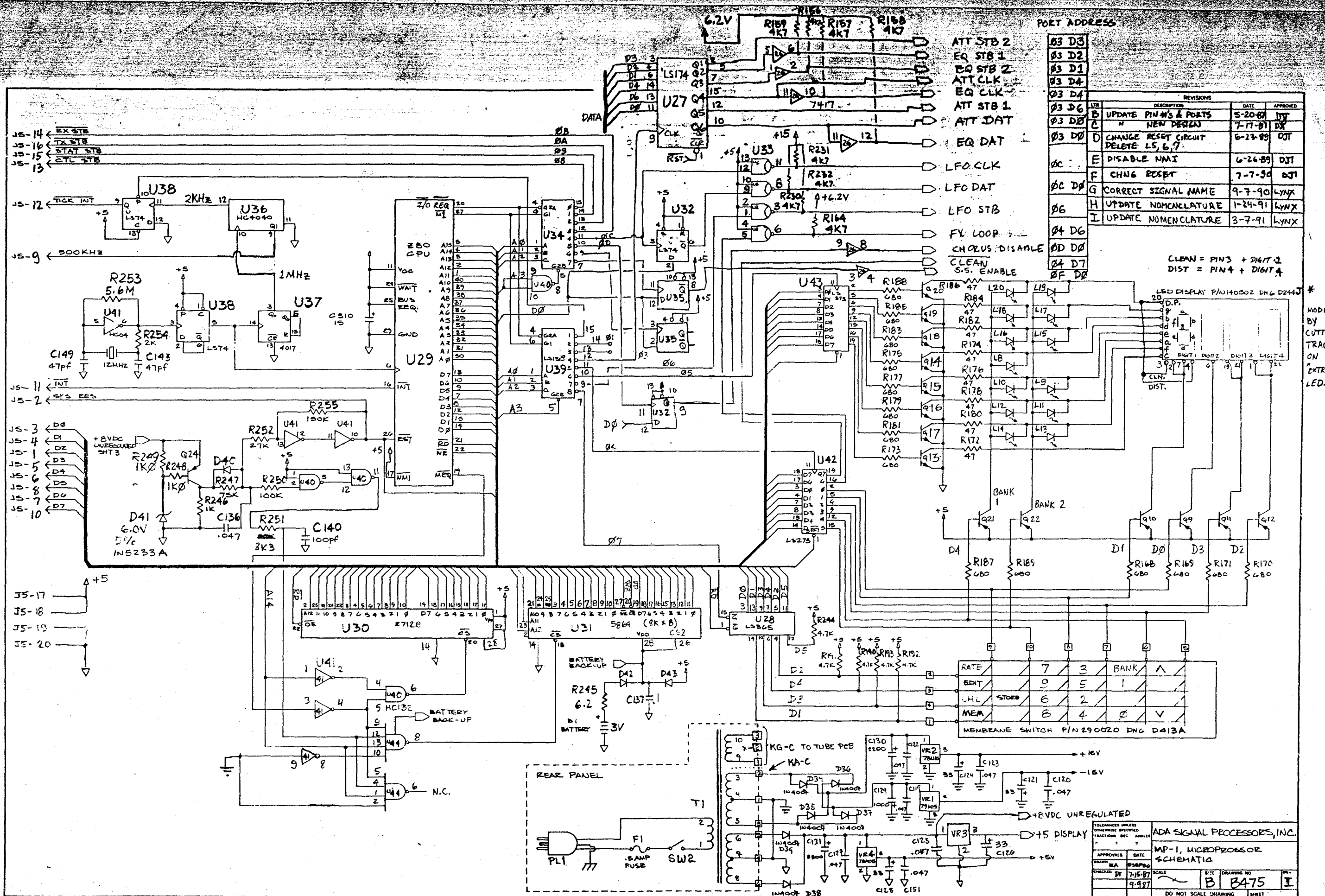


ADA SIGNAL PROCESSORS, INC 7303 D EDGEWATER DR., OAKLAND CA 94621		
SCALE: —	APPROVED BY: DJT 9-9-87	DRAWN BY DJT
DATE: 7-21-87		REVISED
MP-1 SCHEMATIC LED CLIP INDICATOR		
© 9-9-87		DRAWING NUMBER EEV B473 A

Q23 - J174 P-FET  
 J176 P-FET



ADA SIGNAL PROCESSORS, INC.		
7303 D EDGEWATER DRIVE, OAKLAND CA 94621		
DATE:	APRVD	DRAWN BY:
8-11-87	9-9-87	DJT
MPI SCHEMATIC, POWER SUPPLY		
PART OF ASSEMBLY		
DRAWING NO.		REV
B474		A



PORT ADDRESS

PORT ADDRESS	DESCRIPTION
03 D3	ATT STB 2
03 D2	EQ STB 1
03 D1	EQ STB 2
03 D4	ATT CLK
03 D4	EQ CLK
03 D6	ATT STB 1
03 D8	ATT DAT
03 D8	EQ DAT
0C	LFO CLK
0C D8	LFO DAT
06	LFO STB
04 D6	FX LOOP
0D D8	CHORUS DISABLE
04 D7	CLEAN S.S. ENABLE
0F D8	

REVISIONS

REV	DESCRIPTION	DATE	APPROVED
B	UPDATE PIN#S & PORTS	5-20-89	DJT
C	NEW DESIGN	7-17-89	DJT
D	CHANGE RESET CIRCUIT DELETE L5, 6, 7	6-27-89	DJT
E	DISABLE NMI	6-26-89	DJT
F	CHNG RESET	7-7-90	DJT
G	CORRECT SIGNAL NAME	9-7-90	LYNX
H	UPDATE NOMENCLATURE	1-24-91	LYNX
I	UPDATE NOMENCLATURE	3-7-91	LYNX

CLEAN = PIN3 + DIGIT 3  
DIST = PIN4 + DIGIT 4

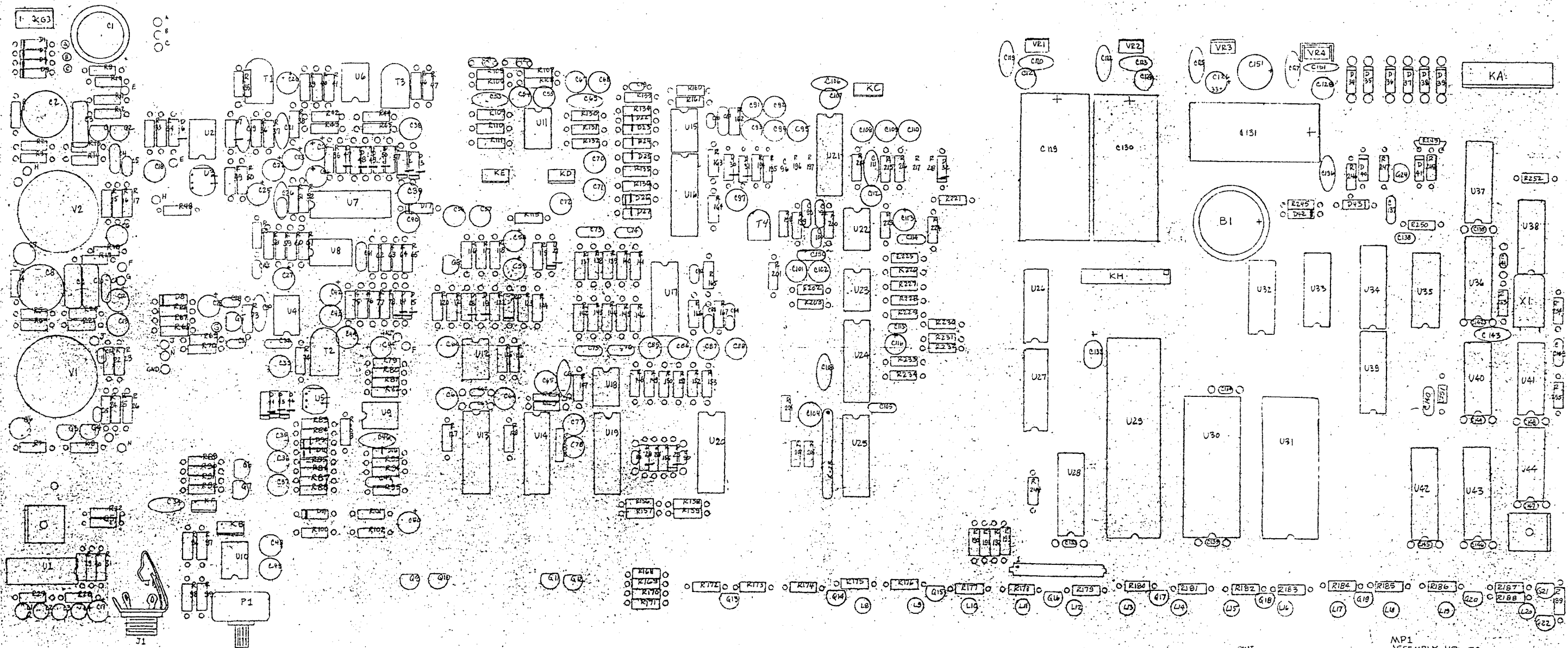
\*  
MODIFY BY CUTTING TRACE ON "EXTRA" LED.

ADA SIGNAL PROCESSORS, INC.

MP-1, MICROPROCESSOR SCHEMATIC

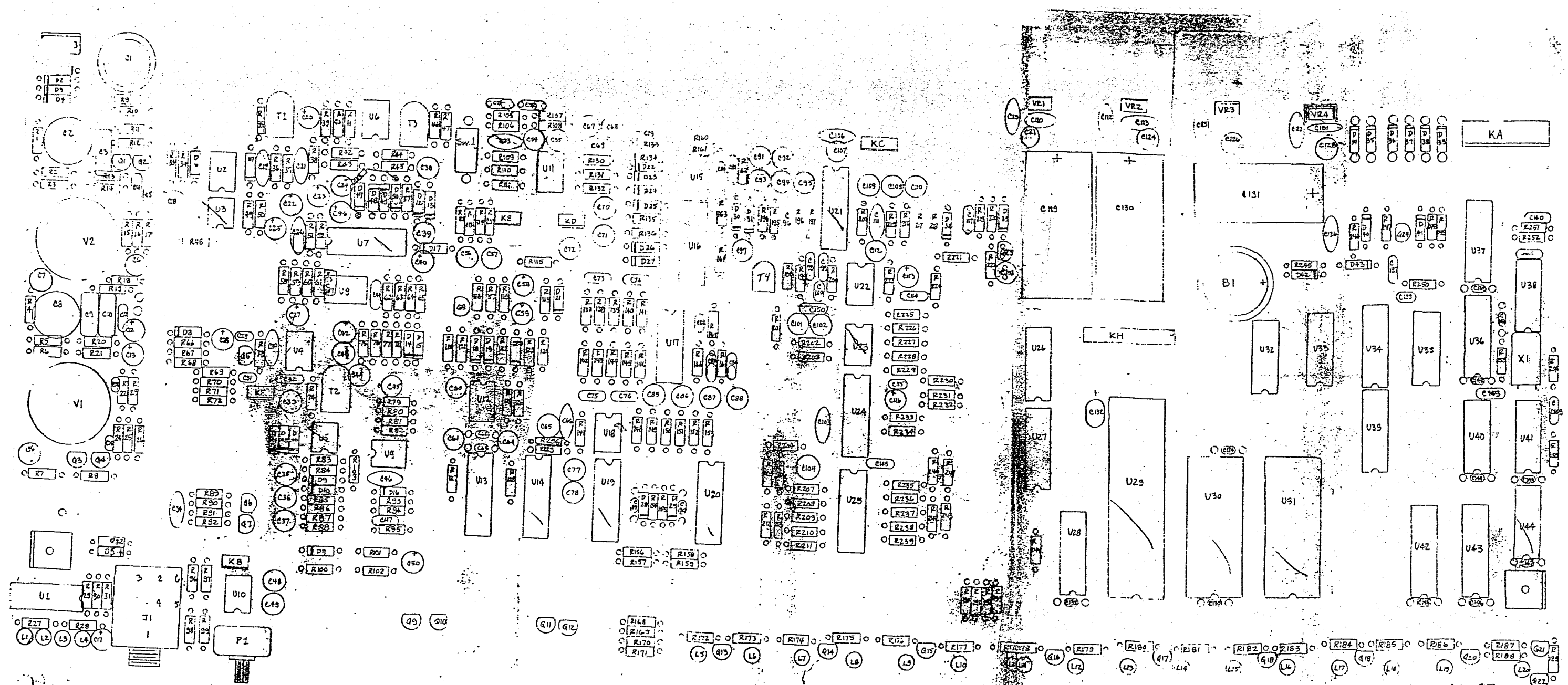
APPROVALS	DATE	SCALE	SHEET	REV
DESIGNED BY EA	05/28/89	B:1:1	B	B475
CHECKED BY DT	7-15-89			
	9-9-87			

DO NOT SCALE DRAWING SHEET



DWIT  
 C 17, 118  
 D 23  
 R 210, 220, 222, 44, 71, 72, 251  
 Q 23  
 L 5, 6, 7

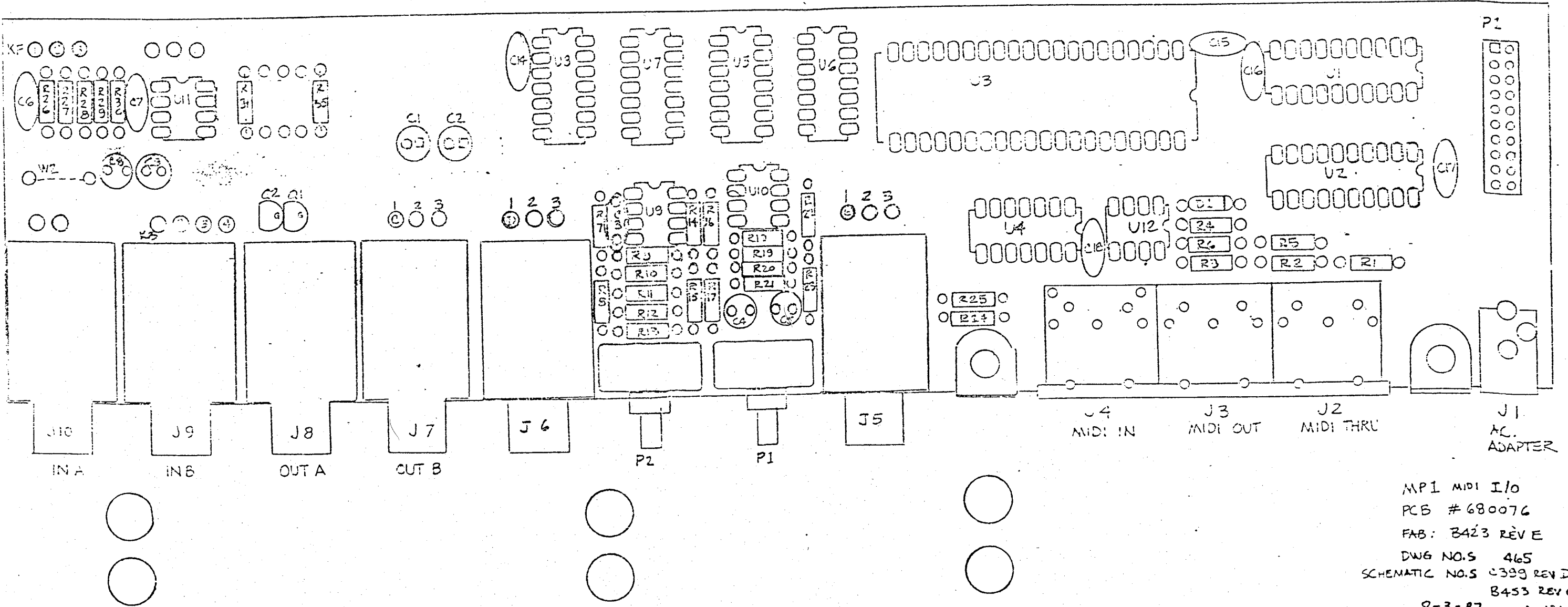
MP1  
 ASSEMBLY NO. 780002  
 PCB NO. 680074 REV G (FILM)  
 11-20-87  
 6-20-89  
 2-14-88  
 LAST USED:  
 R 258 U 44 P 1  
 C 152 L 20 J 1  
 D 50 VR 4 J 1  
 A 24 T 4 SW1



9-10-87  
 MP1  
 ASSEMBLY NO. 780002  
 PCB NO. 600075  
 B-26-B7  
 LAST USED:  
 R 257 U 44 P 1  
 C 151 L 10 J 1  
 D 50 VR 1

HARNES LENGTH:

- KC -
- KD -
- KE -
- KF -

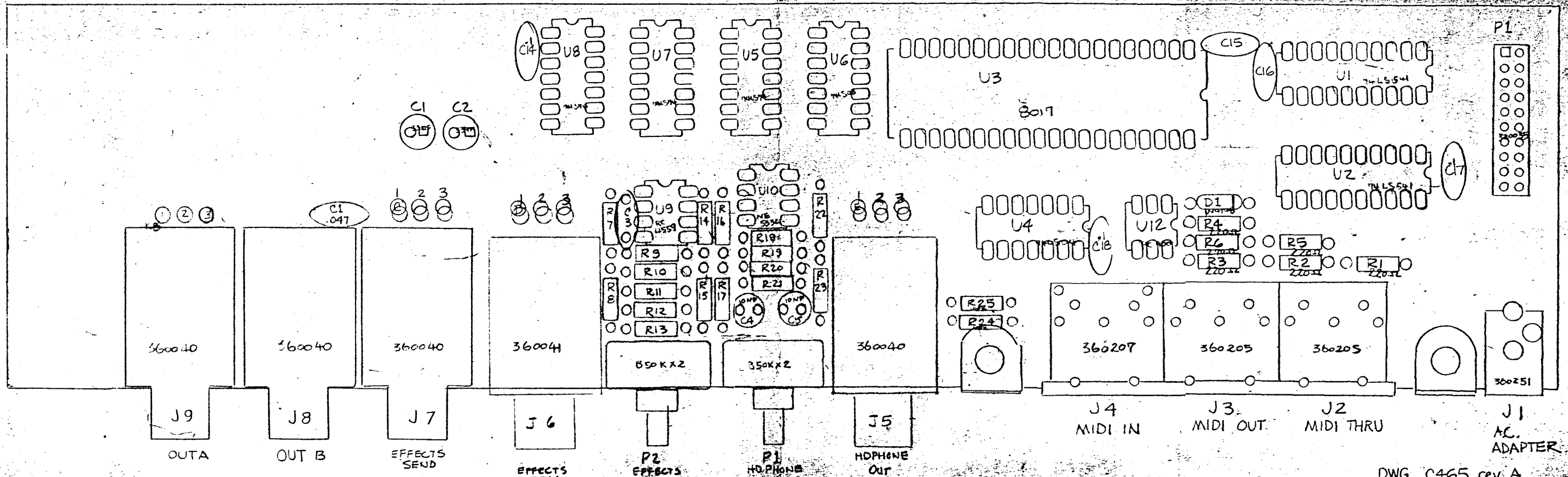


MPI MIDI I/O  
 PCB # 680076  
 FAB: B423 REV E  
 DWG NO. 5 465  
 SCHEMATIC NO. 5 C399 REV D  
 B453 REV C  
 8-3-87



HARNESS LENGTH:

- KC -
- KD -
- KE -
- KB -



DWG C465 rev A  
 MP-1 MIDI I/O BOARD  
 4-24-90 DJT  
 FILM & PCB 680076 8423 REV F

SCHEMATIC C395 REV B  
 B453 REV D  
 PAGE 1 DWG C465 REV B  
 PAGE 2 DWG C465 REV B

REV 5-14-90

## MP-1 alignment

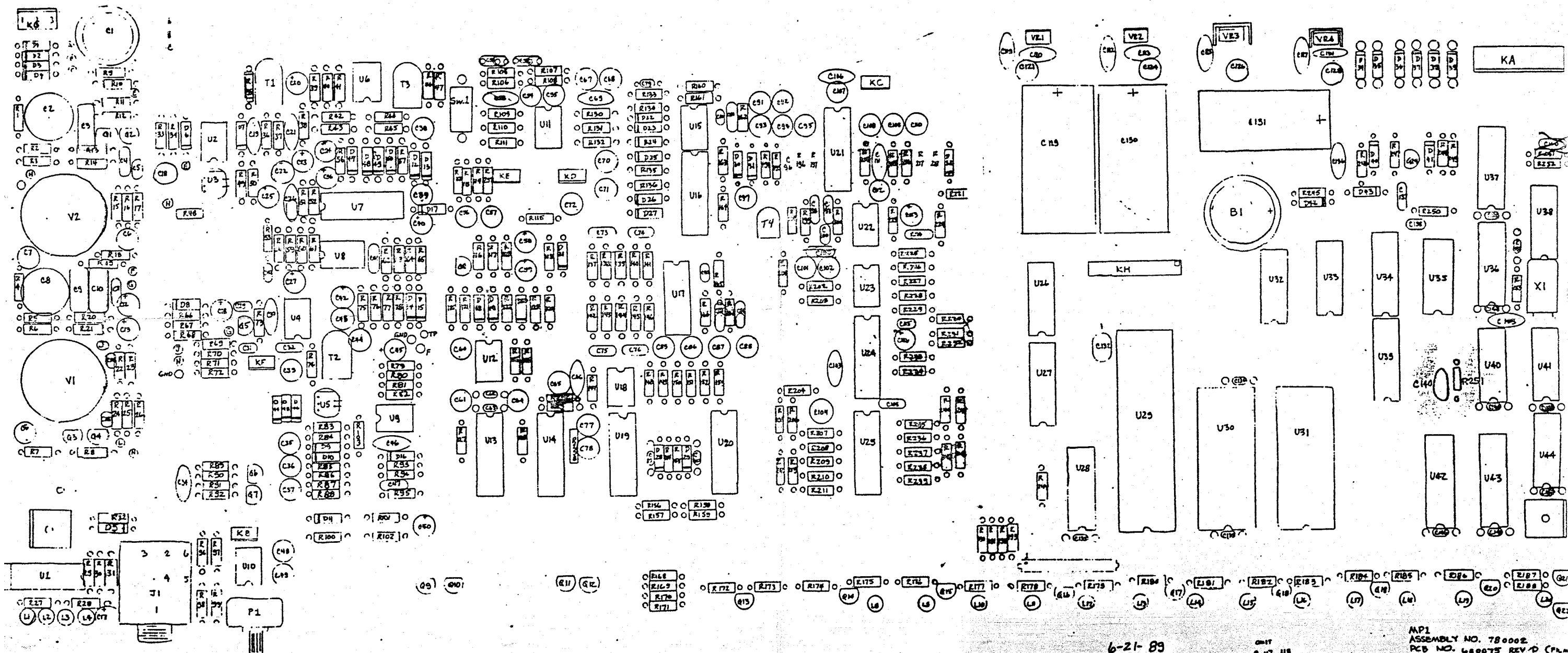
pg. 1

1. Set signal generator for a  $600\text{mV}_{p-p}$  sine wave at  $2\text{kHz}$ . Set scope for  $5\text{V}/\text{div}$ . sensitivity at  $.2\text{ms}$  sweep. Inject signal into front panel input jack. Edit MP-1 set voicing to Clean Tube mode and OD-1 at  $10.0$ . Probe with scope U4 pin-1, trim T2 to obtain  $15\text{V}_{p-p}$ .
2. Set OD-2 to  $0.0$ , probe TP F with scope. Signal may have slight distortion but should be smaller than  $10\text{V}_{p-p}$ . If not trim T1.
3. Set OD-2 to  $10.0$ , probe TP F with scope. Signal should be basically a square wave of at least  $20\text{V}_{p-p}$ . If not change V2.
4. Change scope sensitivity to  $2\text{V}/\text{div}$ . Probe U8 pin 1 with scope. Edit MP-1, set voicing to S.S. Signal should have no distortion and should be approximately  $11\text{V}_{p-p}$ . Adjust T3 for maximum signal size, then turn T3 slightly counter clockwise.
5. Probe with scope R223 (probe end of resistor closest to front). Set MP-1 Master Gain on  $10.0$ . Make sure all bands of E.Q. are set to  $0$ . Set chorus depth to  $100$ , set chorus rate to  $10.0$  then return chorus depth to  $0$ . Trim T4 counter clockwise until sine wave is no longer clipped on bottom edge.

## MP-1 alignment

pg. 2

6. Set line/inst. switch to line position. (towards rear of unit). Turn output potentiometer to full. Clock wise. Set scope sensitivity to  $5\text{V}/\text{div}$ . and probe probe connector KB pin 1 & 3 and check for  $15\text{V}_{p-p}$  sine wave. Edit chorus depth to  $100$ , probe connector KB pin 1 & 3 and check for chorusing component on output.



6-21-89  
7-2-89

omit  
C 47, 118  
D 83  
R 215, 270, 225, 46  
L 5, 6, 7

MP1  
ASSEMBLY NO. 780002  
PCB NO. 660075 REV D (PLA  
11-25-87 6-20-89  
LAST USED:  
R 238 U 44 P 1  
C 181 L 20 J 1  
D 80 VE 4 SW1