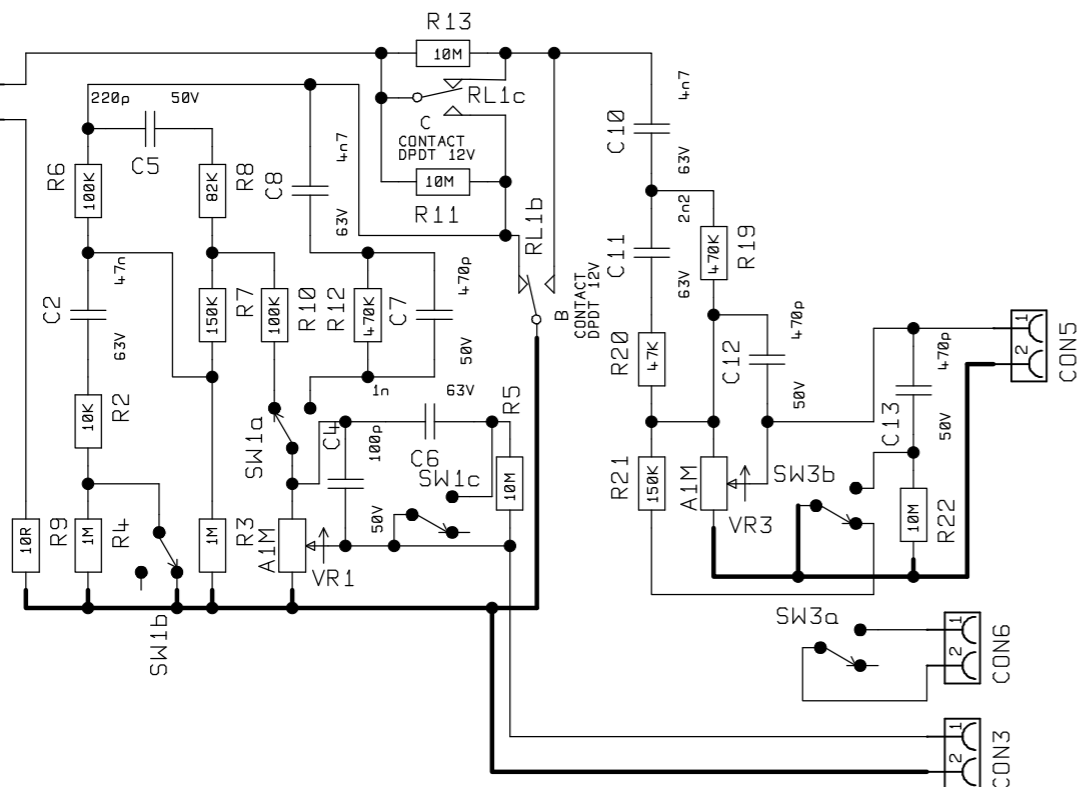
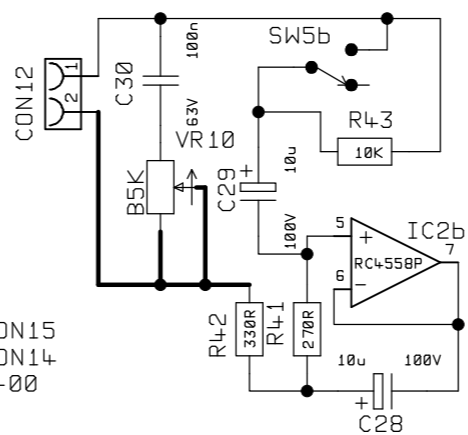


DWG.No. DL50-61-00.DGM

CON2->CON13
JCM2-60-00
CON2

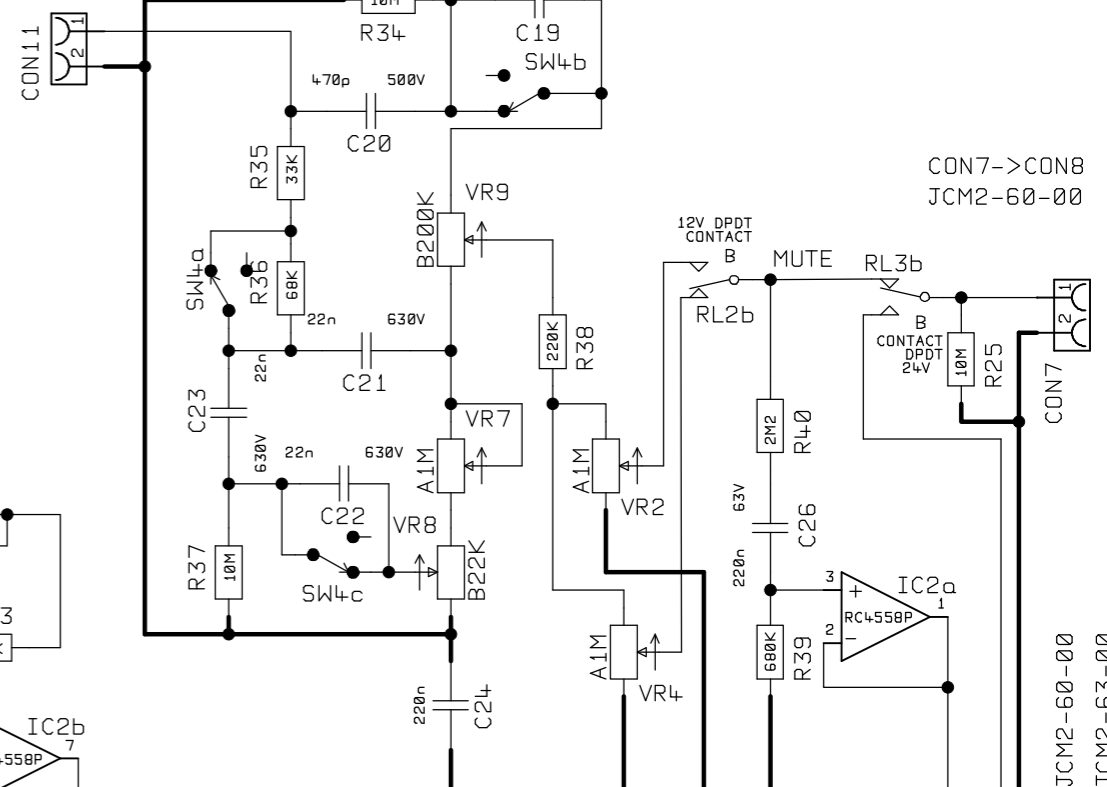


CON5->CON3
CON12->CON10
JCM2-60-00



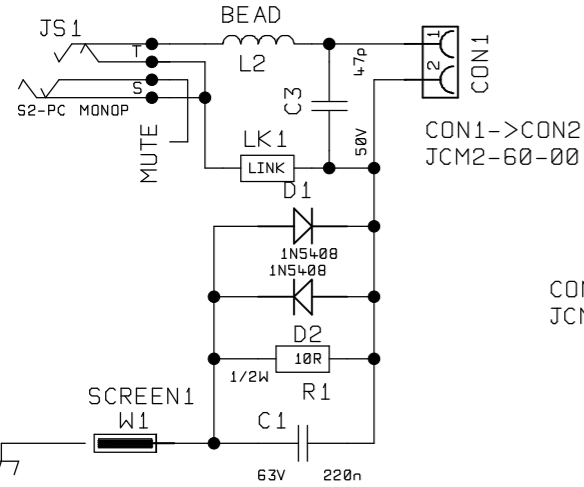
CON3->CON15
CON6->CON14
JCM2-60-00

CON11->CON6
JCM2-60-00



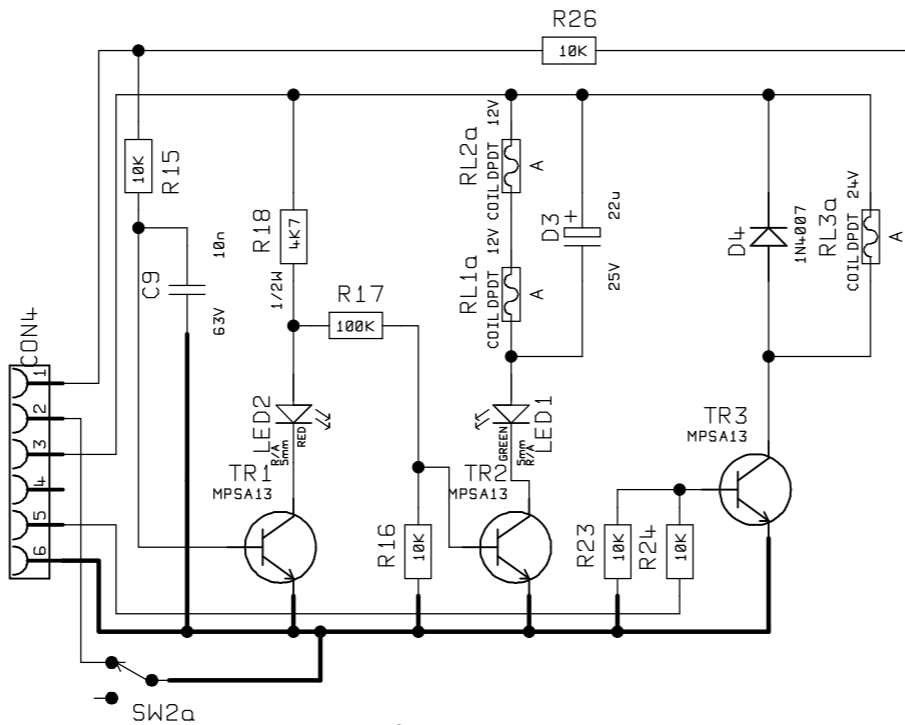
CON7->CON8
JCM2-60-00

CON8
CON9->CON5
CON8->CON2
JCM2-60-00
JCM2-63-00



CON1->CON2
JCM2-60-00

CON4->CON5
JCM2-62-00



CON10->CON3
JCM2-62-00

1	1553	15/12/97
ISS	ECO NUMBER	DATE

ALL OTHER HOLES =			X = (THROUGH PLATED)		
A	E	J	N	P	R
B	F	K			
C	G	L			
D	H	M			

MATERIAL	
MATERIAL THICKNESS	
DRAWN SG	DATE 24_2_97
CHECKED	DATE
APPROVED	DATE

DIMENSIONS IN	
TOLERANCE (UNLESS OTHERWISE STATED)	
MODEL	DSL50



TITLE		JCM2000
SUPERLEAD STANDARD		
DWG.No	DL50-61-00.DGM	ISS 1