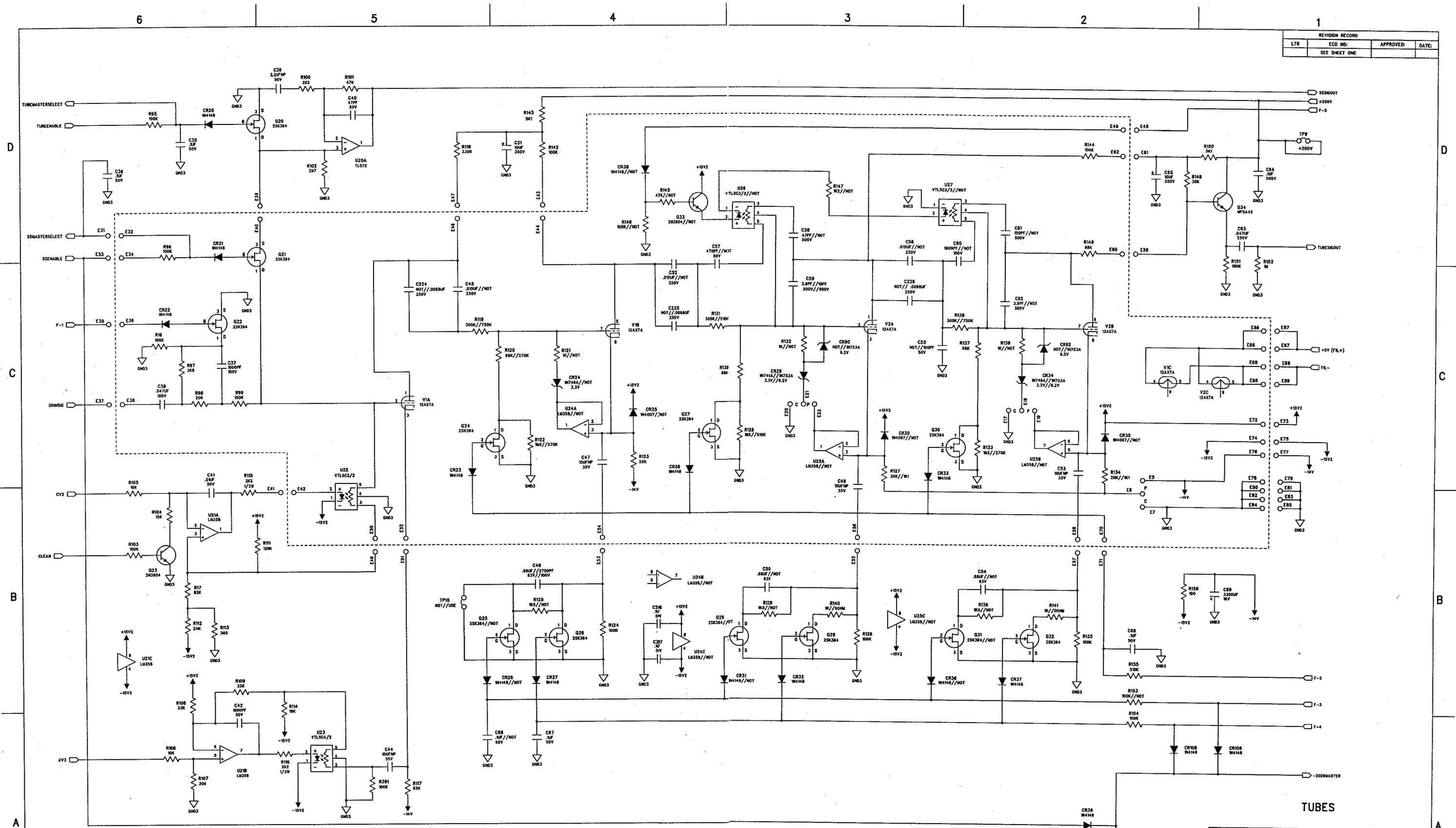


REVISION RECORD			
LTR	ECO NO:	APPROVED:	DATE:
	SEE SHEET ONE		



COMPANY: ADA INC.			
TITLE: SCHEMATIC MP-1 PLUS AND CLASSIC			
DATE: 8-27-94	SIZE: D	DRAWING NO: 1044	REV: A2
SCALE:		SHEET: 3 OF 7	

