

6

5

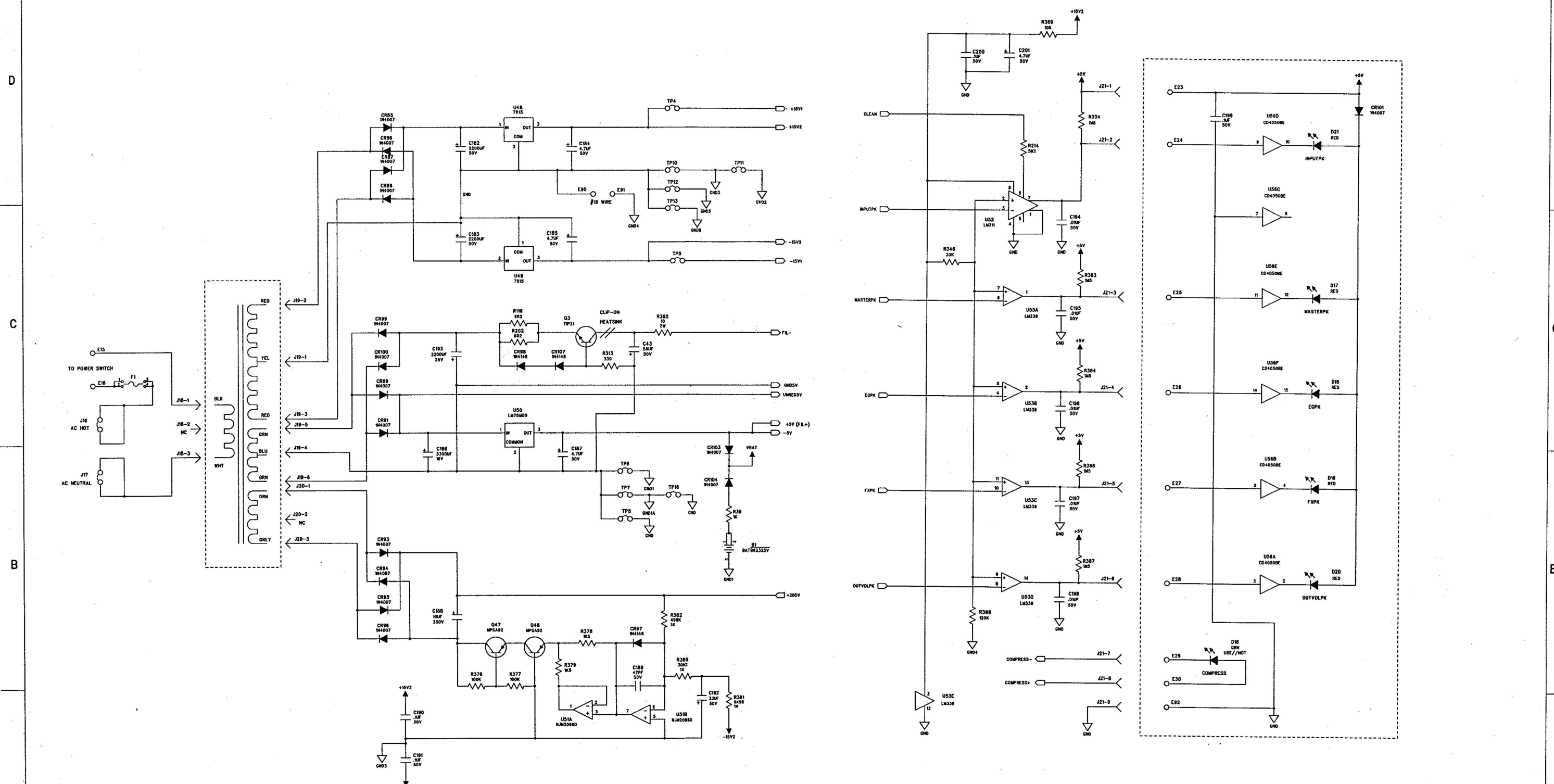
4

3

2

1

| REVISION RECORD | | | |
|-----------------|---------------|-----------|-------|
| LTR | ECO NO. | APPROVED: | DATE: |
| | SEE SHEET ONE | | |



PWR SUPPLY / PEAK METERS

| | | | |
|--|---------|------------------|---------|
| COMPANY: ADA INC. | | | |
| TITLE: SCHEMATIC MP-1 PLUS AND CLASSIC | | | |
| DATE: 8-27-94 | SIZE: D | DRAWING NO: 1044 | REV: A2 |
| SCALE: | | SHEET: 7 OF 7 | |

