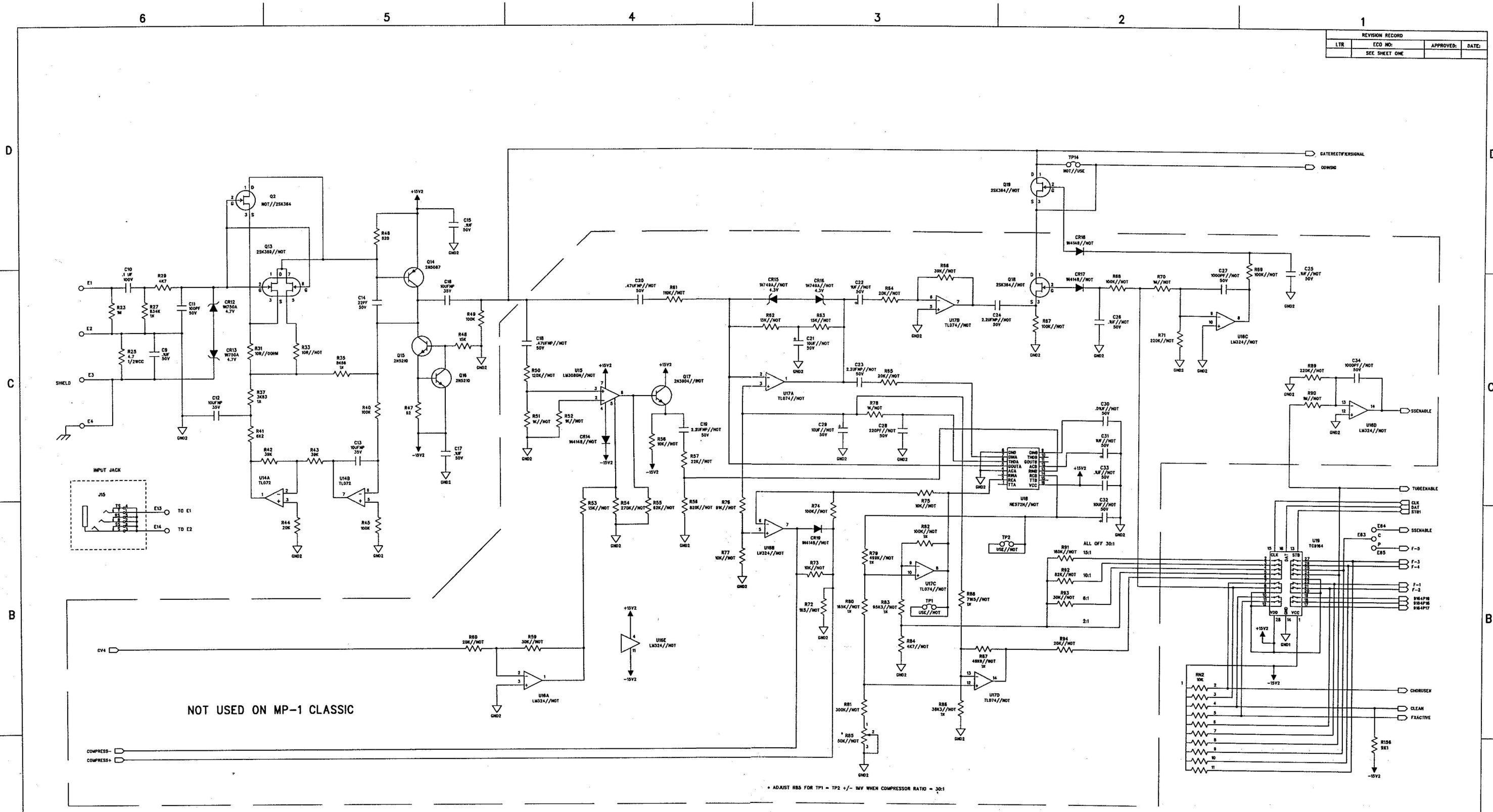


REVISION RECORD			
LTR	ECO NO.	APPROVED	DATE
	SEE SHEET ONE		



NOT USED ON MP-1 CLASSIC

* ADJUST R85 FOR TP1 = TP2 +/- 1MV WHEN COMPRESSOR RATIO = 30:1

INPUT STAGE COMPRESSOR

COMPANY: ADA INC.			
TITLE: SCHEMATIC MP-1 PLUS AND CLASSIC			
DATE: 9-27-94	SIZE: D	DRAWING NO: 1044	REV: A2
SCALE:		SHEET: 2 OF 7	

