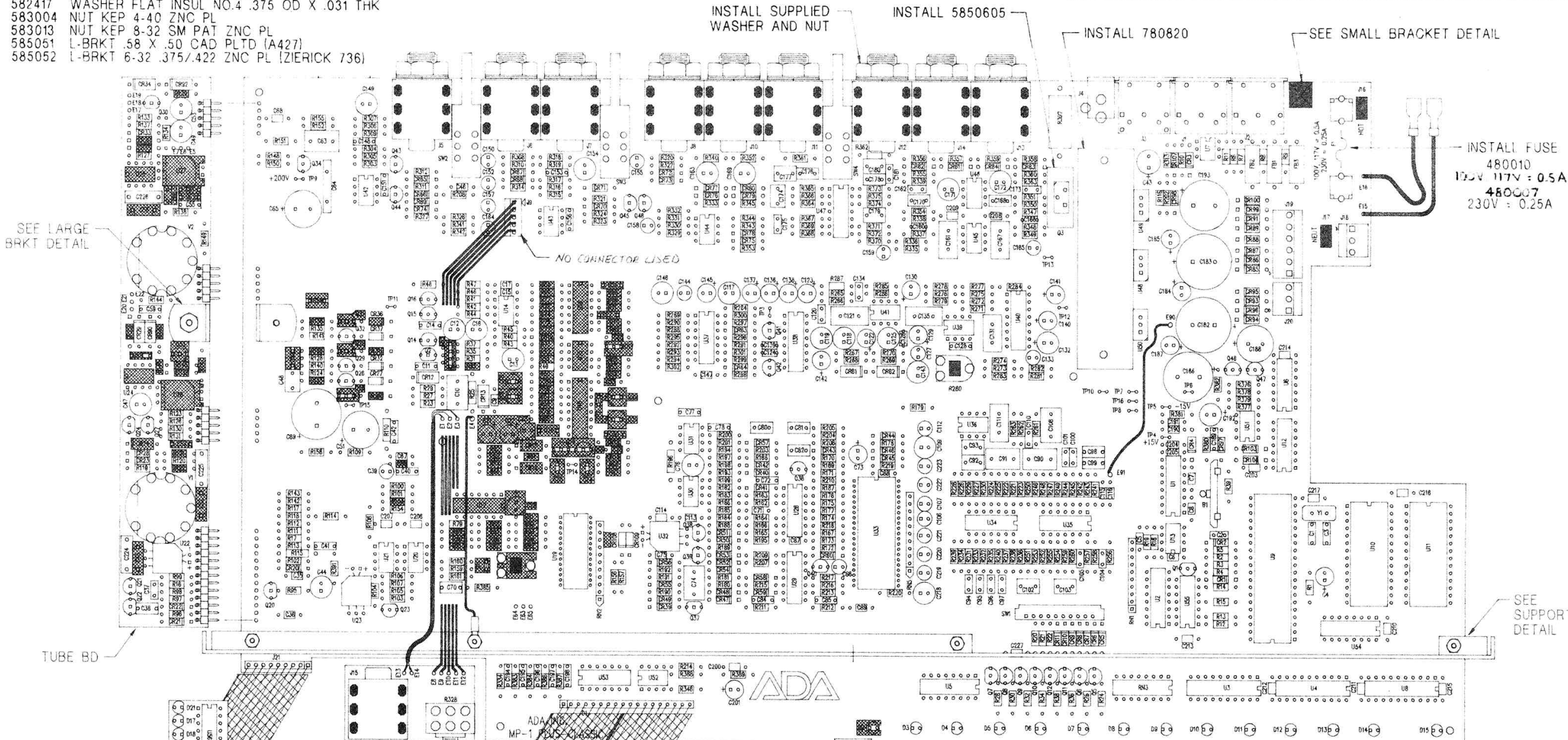


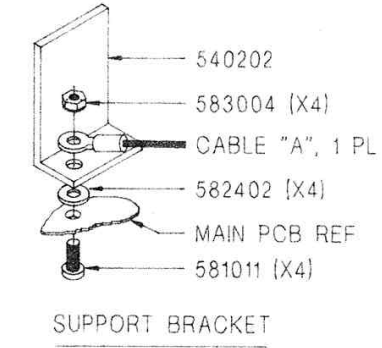
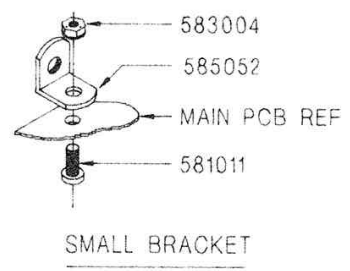
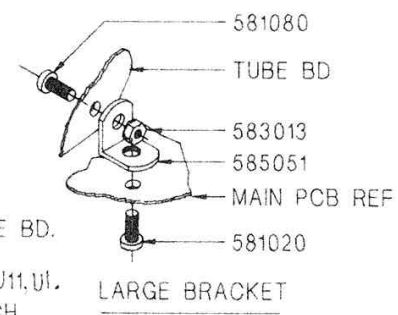
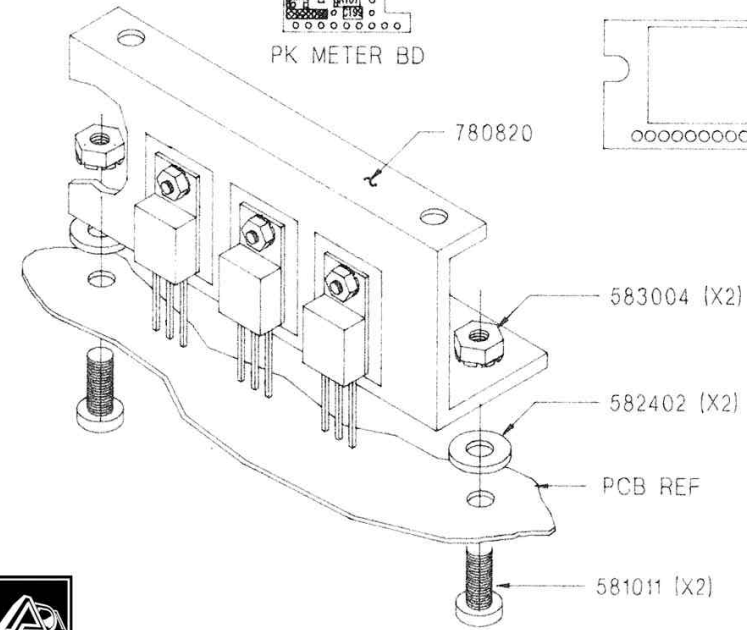
REVISION HISTORY

ZONE	REV	DESCRIPTION	SIGNATURE	DATE
-	-	SEE SHEET ONE	-	-

- 581011 SCREW 4-40 X 3/8 PHIL PNHD ZNC
- 581020 SCREW 6-32 X 1/4 PHIL PNHD BLK ZNC
- 581080 SCREW 8-32 X 1/4 PHIL PNHD ZNC
- 582402 WASHER FLAT NO.4 .031 THK ZNC
- 582417 WASHER FLAT INSUL NO.4 .375 OD X .031 THK
- 583004 NUT KEP 4-40 ZNC PL
- 583013 NUT KEP 8-32 SM PAT ZNC PL
- 585051 L-BRKT .58 X .50 CAD PLTD (A427)
- 585052 L-BRKT 6-32 .375/.422 ZNC PL (ZIERICK 736)



- NOTES:
- HAND SOLDER U22, U23, U32, 140507, PK METER BD, TUBE BD.
 - INSTALL IC'S INTO SOCKETS:
U39, U42, U43, U44, U46, U19, U33, U3, U4, U8, U9, U10, U11, U1.
 - INSTALL TUBES V1 AND V2 WITH FOAM 589031 ON EACH.



THIS DRAWING DOCUMENT CONTAINS INFORMATION WHICH IS PROPRIETARY TO AND THE PROPERTY OF ADA, INC. AND MAY NOT BE USED, REPRODUCED OR DISCLOSED IN ANY MANNER WITHOUT THE EXPRESSED CONSENT OF ADA, INC.		ADA SIGNAL PROCESSORS, INC. 420 LESSER STREET, OAKLAND, CA 94601	
FILE NAME: C1042RA.DWG	TITLE: MP-1 CLASSIC PC BD ASSEMBLY	DRAWN BY: RON FARAR	C 1042A103/04
CHECKED BY:	ENGR:	DATE: 9-19-94	SCALE: 1 : 1
DATE:	© COPYRIGHT 1993		